

Product leaflet

Product Powered air purifying respirator	Model No. SR 500	Ordering No. H06-0112
--	----------------------------	---------------------------------

Product Description

The SR 500 is a battery-powered fan that, together with a filter and an approved head top, is included in the Sundström fan-assisted respiratory protective device systems. The SR 500 can be used as an alternative to filter respirators in all situations in which these are recommended. This applies particularly to work that is hard, warm or of long duration.

The human interface may consist of a hood, face shield, half mask or full face mask. The fan is equipped with a filter, and the filtered air is fed through a hose to the human interface. The pressure then generated prevents surrounding pollutants from penetrating into the mask.

The characteristics of the SR 500 are as follows:

The battery is of lithium-ion type • Two battery alternatives, i.e. STD (Standard 2.25 Ah) and HD (Heavy Duty 3.5 Ah) • The charging time for the Standard battery is around 1.5 hours and for the Heavy Duty battery, about 2 hours • Equipped with two filters/combined filters • Operating time of up to 12 hours • The same control is used for starting, stopping and selection of operating status • Display with symbols • Equipped with automatic air flow control with compensation for air pressure and temperature • Can be used together with hoods SR 520, SR 530, SR 561, SR 562, SR 601, SR 602 face shield SR 570, half mask SR 900, full face mask SR 200, welding shield SR 592, helmet with visor SR 580 or welding shield/helmet with visor SR 584/SR 580. Electronics ingress protection is approved in IP class IP67 according to IEC / EN 60529.

The SR 500 is also available in an explosion-protected version designated the SR 500 EX for use in a potentially explosive atmosphere. See the separate product leaflet.

Technical specification

	SR 500	EN 12941:1998 + A2:2008	EN12942:1998 + A2:2008
Air flow, min/max	175/240 l/min	≥ 120 l/min	-
STD-battery/HD-Battery	14,4 V 2,25 Ah/3,5 Ah	-	-
Operating times at 175/240 l/min:			
P3, STD-battery	7 h/4 h	≥ 4 h	≥ 4 h
P3, HD- battery	12 h/6 h	≥ 4 h	≥ 4 h
Weight with STD-battery and P3 filter	≈ 1 400 g	≤ 3,500 g	≤ 3,500 g
Service conditions	-10 °C to +55 °C, < 90 % RH, 600 to 1200 hPa	-	-
Storage conditions	-20 °C to +40 °C, < 90 % RH	-	-
Low flow warning level	< 175 l/min	≤ 175 l/min	≤ 175 l/min
Assigned Protection Factor¹: SR 520, SR 530, SR 561/562, SR 580, SR 584, SR 601, SR 602	40 (TH3)	-	-
Assigned Protection Factor¹ SR 200	40 (TM3)	-	-
Nominal Protection Factor² SR 520, SR 530, SR 561/562, SR 580, SR 584, SR 601, SR 602	500 (TH3)	-	-
Nominal Protection Factor² SR 200	2000 (TM3)	-	-
Approvals	EN 12941:1998 + A2:2008 EN 12942:1998 + A2:2008	-	-

1) Specified in BS 4275 and applies generally to all approved fan-assisted respiratory protective devices, regardless of the test results.

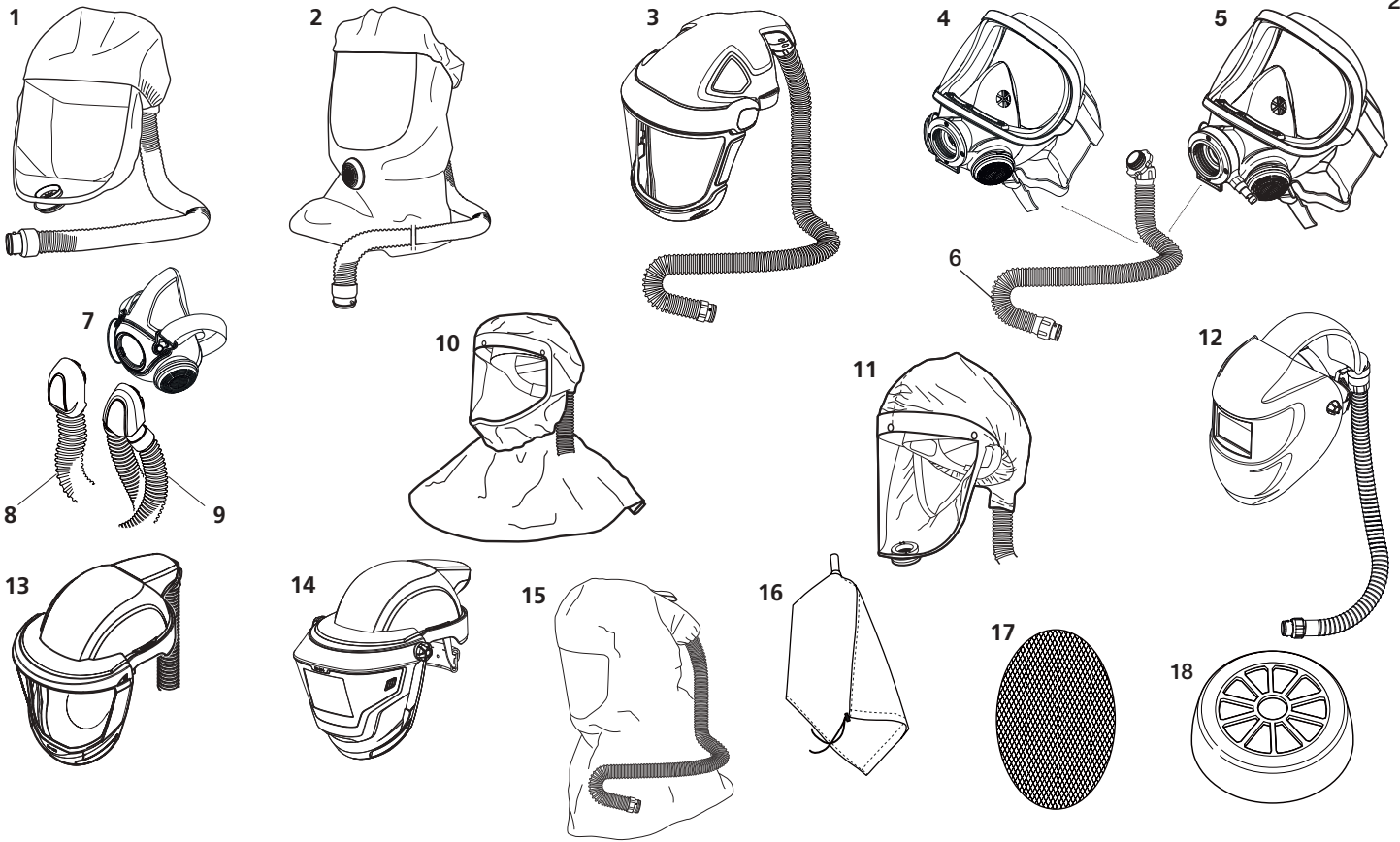
2) According to EN 529:2005.



Sundström Safety AB

Tel: +46 10 484 87 00
Västergatan 4
SE-341 50 Lagan

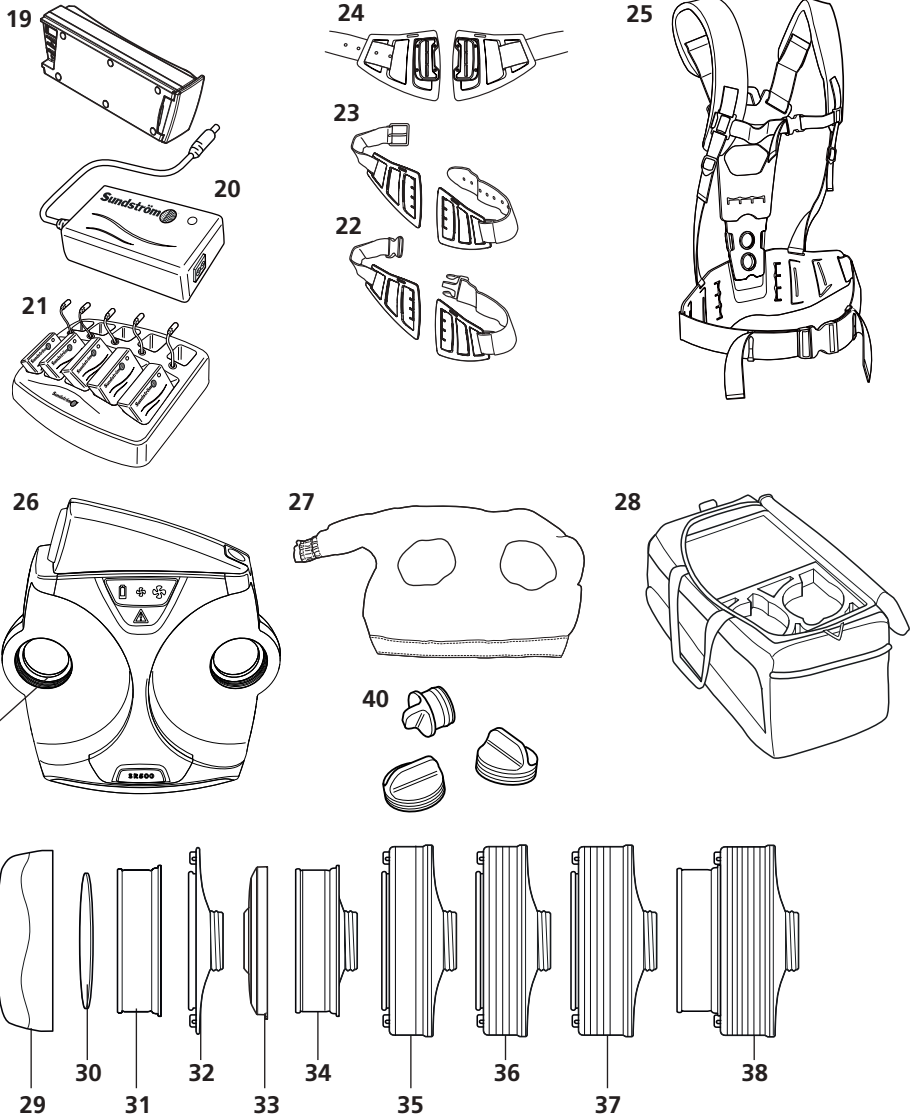
Sundström 
www.srsafety.com



Head-tops, spare parts and accessories

Item

No.	Part	Ordering No.
1.	Hood SR 520 M/L	H06-0212
1.	Hood SR 520 S/M	H06-0312
2.	Hood SR 530	H06-0412
3.	Face shield SR 570	H06-6512
4.	Full face mask SR 200, PC visor	H01-1212
4.	Full face mask SR 200, glass visor	H01-1312
5.	Full face mask SR 200 Airline, PC visor	H03-1012
5.	Full face mask SR 200 Airline, glass visor	H03-1212
6.	PU hose SR 550 for SR 200	T01-1216
6.	Rubber hose SR 551 for SR 200	T01-1218
7.	SR 900 S	H01-3012
7.	SR 900 M	H01-3112
7.	SR 900 L	H01-3212
8.	Hose SR 951	T01-3003
9.	Twin hose SR 952	R01-3009
10.	Hood SR 561	H06-5012
11.	Hood SR 562	H06-5112
12.	Welding shield SR 592	H06-4412
13.	Helmet with visor SR 580	H06-8012
14.	Welding shield/Helmet with visor SR 584/SR 580	H06-8310
15.	Hood SR 601	H06-5412
15.	Hood SR 602	H06-5512
16.	Flow meter SR 356	R03-0346
17.	Steel net disc SR 336	T01-2001
18.	Asbestos Kit SR 509	T06-0105
19.	Battery SR 501, 2,25 Ah	R06-0108
19.	Battery HD SR 502, 3,5 Ah	T06-0101
20.	Battery charger SR 513	R06-0103
21.	Charging station without chargers SR 506	T06-0108
21.	Charging station, complete SR 516	T06-0111
22.	Belt SR 508	R06-0101
22.	Rubber belt SR 504	T06-0104
22.	PVC belt	T06-0124
22.	Leather belt SR 503	T06-0103
23.	Leather belt SR 503, large	T06-0107
24.	HD belt SR 553, standard	T06-0119
24.	HD belt SR 553, large	T06-0120
25.	Harness SR 552	T06-0116
26.	Fan SR 500, bare	R06-0110
27.	Splash cover SR 514	T06-0114
28.	Storage bag SR 505 w two compartments	T06-0102
29.	Pre-filter holder SR 512	R06-0106
30.	Pre-filter SR 221	H02-0312
31.	Particle filter P3 R, SR 510	H02-1312
32.	Filter adapter SR 511	R06-0105
33.	Pre-filter holder for SR 710	R01-0605
34.	Particle filter P3 R, SR 710	H02-1512
35.	Gas filter A2, SR 518	H02-7012
36.	Gas filter ABE1, SR 515	H02-7112
37.	Gas filter A1BE2K1, SR 597	H02-7212
38.	Combined filter A1BE2K1-Hg-P3 R, SR 599	H02-7312
39.	Gasket for fan	R06-0107
40.	Plug kit	R06-0703



Product leaflet

Product	Model No.	Ordering No.
Hood	SR 520 M/L	H06-0212
Hood	SR 520 S/M	H06-0312
Hood	SR 530	H06-0412

Product Description

The hoods together with the battery-powered SR 500, SR 500 EX or SR 700 fan and approved filters are included in the Sundström fan-assisted respiratory protection device systems. The breathing hose of the hood is connected to the fan, equipped with a filter. The pressure generated in the hood prevents particles and other pollutants from entering the hood.

The hoods can also be used with the SR 507 compressed air equipment. This combination forms a breathing apparatus designed for continuous air flow, for connection to a compressed air supply.

The equipment can be used as an alternative to filter respirators in all situations for which filter respirators are recommended.

This applies particularly to work that is hard, warm or of long duration.

The SR 520 hood is available in two sizes, and the SR 530 hood is available in one size.

The characteristics of the hoods are as follows:

Protects the respiratory organs and the crown of the head • Impact-resistant and chemical-resistant visor • The supply air keeps the visor demisted • Adjustable head harness • Permanently mounted, flexible breathing hose • Equipped with exhalation valve • Moreover, the SR 530 also protects the head and shoulders, is equipped with adjustable neck fit and the distance between the visor and the face is adjustable.

The hoods together with the SR 500 EX fan are approved for use in a potentially explosive atmosphere.

Technical specification


	SR 520/SR 530 + SR 500/SR 500 EX/SR 700	EN 12941:1998 + A2:2008	SR 520 M/L, SR 530 + SR 507	EN 14594:2005
Air flow rate	175/240 l/min (SR 500) 175/225 l/min (SR 500 EX / SR 700)	≥ 120 l/min	175–260 l/min	175–260 l/min
Service temperature	-10 – +55 °C, < 90 % RH	-	-10 – +55 °C, < 90 % RH	-
Storage temperature	-20 – +40 °C, < 90 % RH	-	-20 – +40 °C, < 90 % RH	-
Low flow warning level	< 175 l/min	≤ 175 l/min	< 175 l/min	≤ 175 l/min
Weight of SR 520/530 w hose	≈ 360 g/480 g	≤ 1,500 g	≈ 360 g/480 g	≤ 1,500 g
Working pressure	-	-	5–7 bar	≤ 10 bar
Assigned Protection Factor¹	40 (TH3)	-	40 (3A,3B)	-
Nominal Protection Factor²	500 (TH3)	-	200 (3A,3B)	-
Approvals	Directive PPE Regulation (EU) 2016/425 ATEX 2014/34/EU IECEx Scheme	Standards EN 12941:1998 + A2:2008, EN 14594:2005 EN IEC 60079-0:2018, EN 60079-11:2012 IEC 60079-0:2017, IEC 60079-11:2011	Classification/markings TH3, Class 3A and 3B II 2 G Ex ib IIB T3 Gb ³⁾ II 2 D Ex ib IIIC T195°C Db ³⁾ Ex ib IIB T3 Gb ³⁾ Ex ib IIIC T195°C Db ³⁾	

1) Specified in BS 4275 and applies generally to all approved fan-assisted respiratory protective devices, regardless of the test results.

2) According to EN 529:2005.

3) Together with fan SR 500 EX.

Key to ATEX marking

-  Explosion protection mark.
- II** Equipment group (explosive atmospheres other than mines with fire damp).
- 2 G** Equipment category (2 = High level of protection for Zone 1, G = Gas).
- 2 D** Equipment category (2 = High level of protection for Zone 21, D = Dust).
- Ex** Explosion protected.
- ib** Type of protection (Intrinsic safety).
- IIB** Gas group (Ethylene).
- IIIC** Dust material group (zone with conductive dust).
- T3** Temperature class, gas (maximum surface temperature +200°C).
- T195°C** Temperature class, dust (maximum surface temperature +195°C).
- Gb** Equipment Protection Level, gas (high protection).
- Db** Equipment Protection Level, dust (high protection).

Key to IECEx marking

- Ex** Explosion protected.
- ib** Type of protection (Intrinsic safety).
- IIB** Gas group (Ethylene).
- IIIC** Dust material group (zone with conductive dust).
- T3** Temperature class, gas (maximum surface temperature +200°C).
- T195°C** Temperature class, dust (maximum surface temperature +195°C).
- Gb** Equipment Protection Level, gas (high protection).
- Db** Equipment Protection Level, dust (high protection).



Sundström Safety AB

Tel: +46 10 484 87 00
Västergatan 4
SE-341 50 Lagan

Sundström
www.srsafety.com