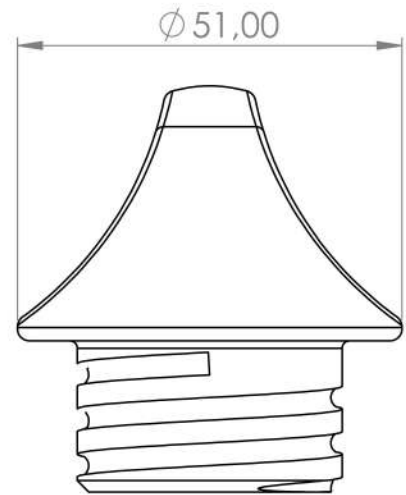
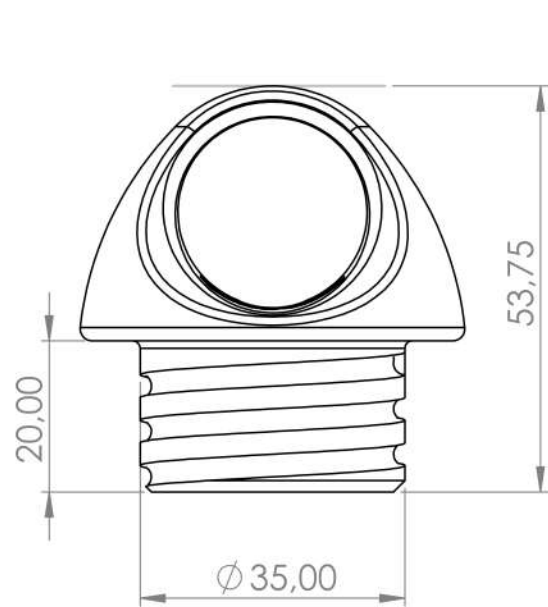


1

2

3

4



	NAME -SURNAME	DATE	SIGN	MATERIAL	MASS (KG)	REVISION NO	PAGE NR
DRAWN BY	---	---					1/1
CONTROL	---	---		STOCK CODE			
APPROVAL	---	---					
SCALE	1:1						
PART/ASSEMBLY NAME				DRAWING DESCRIPTION		DRAWING NO	FORMAT
				---		---	A4

A

B

C

D

E

F