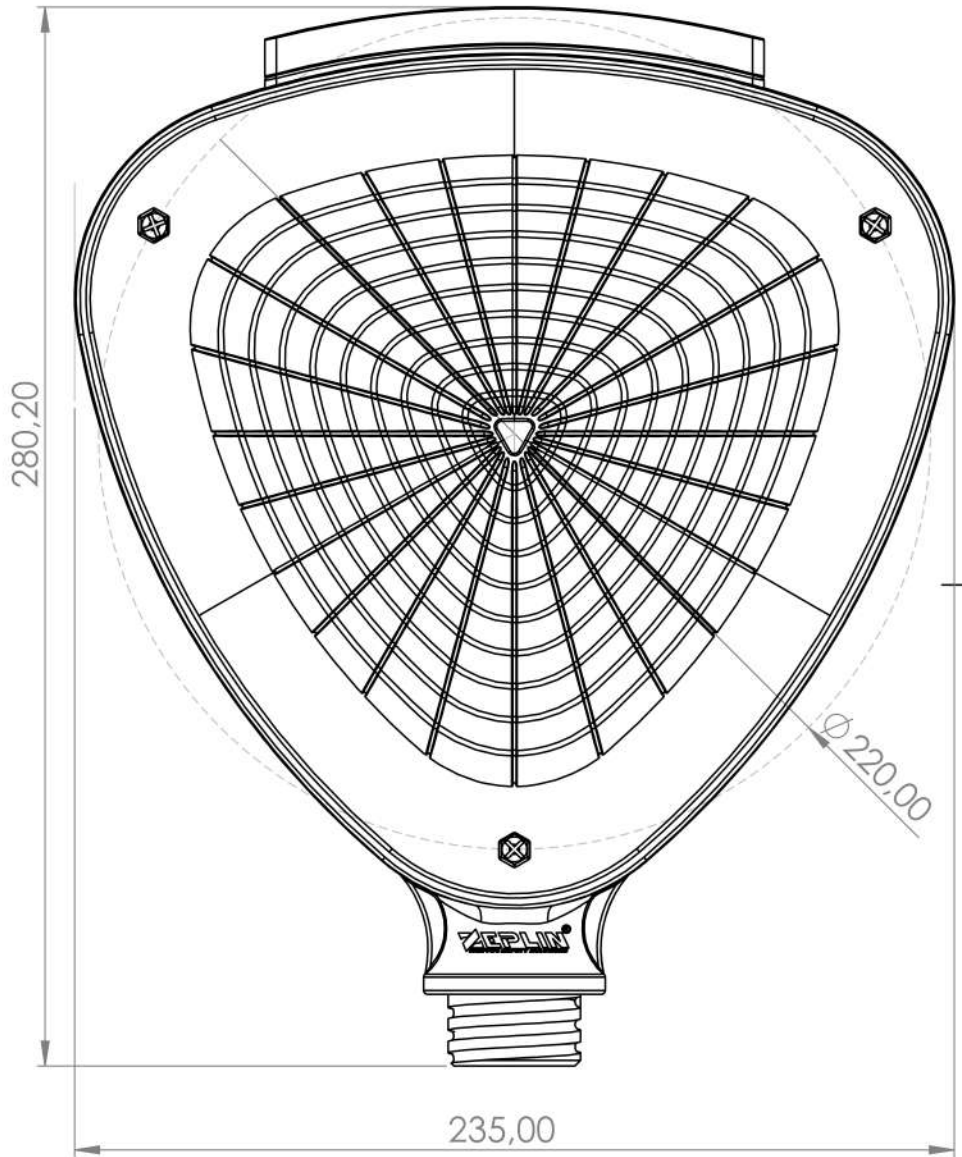
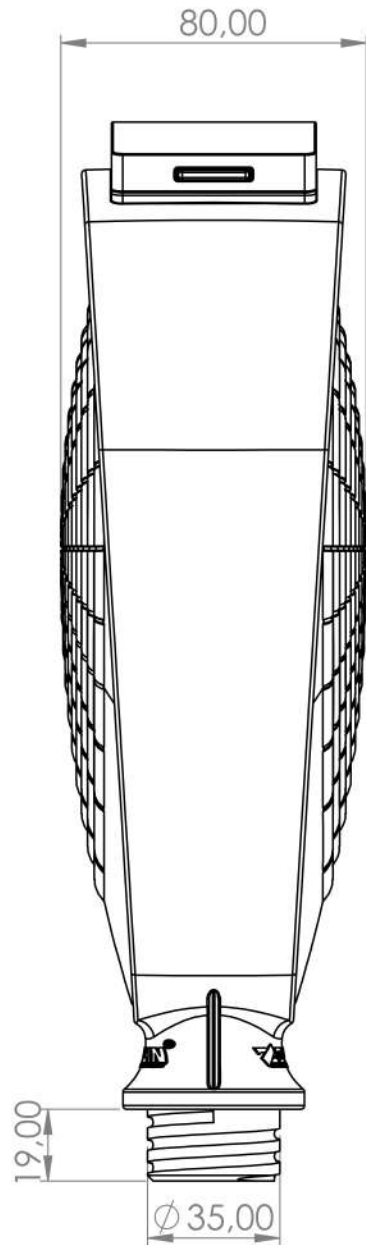
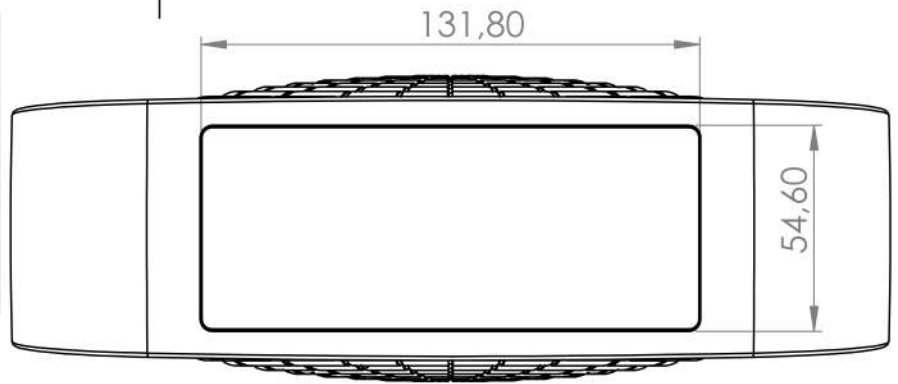


Technical Specifications		
Solar Panel	Type	Monocrystalline Silicon Cell
	Dimension	45x120 mm
	Voltage	6 V
	Watt	1 W
Rechargeable Battery	Material	LI-ION
	Voltage	3,7 V
	Current	1500 mA/h
	Colour	White
LED	LED	8x1023 Power Led
	Flash Rate	75 f/min
	Visibility distance	400 m (night)
	Operation Time	Full Battery 3 days
	Operation Temperature	40° C / 80° C



NAME -SURNAME	DATE	SIGN	MATERIAL	MASS (KG)	REVISION NO	PAGE NR
DRAWN BY	---					1/1
CONTROL	---		STOCK CODE			
APPROVAL	---					
SCALE	1:5					
PART/ASSEMBLY NAME			DRAWING DESCRIPTION		DRAWING NO	FORMAT
			---		---	A4